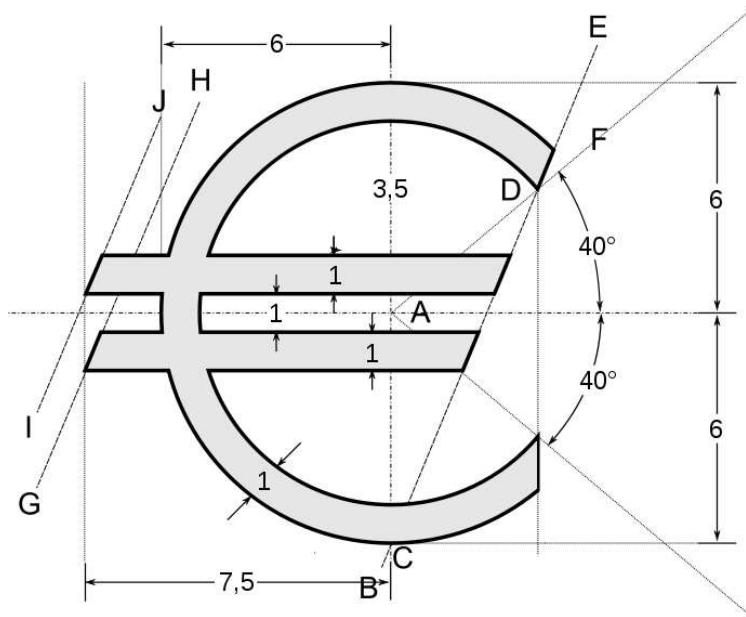


I U P U I

MATH CLUB TEASER #38

February 26, 2010
(due March 5, 2010)

The figure below shows the official description of the euro symbol. The line AF intersects the inner circle at D . The line BE goes from the bottom point C to D . The lines IJ and GH are parallel to BE . You figure out the rest.



Here is the question: How long are the two horizontal strokes of the euro symbol? Give an exact expression, not decimal approximations.

The IUPUI Math Club invites everybody to submit solutions to its weekly recreational mathematics problem. Interested individuals and teams of up to four participants must submit a cover sheet (available at jagmath.usg.iupui.edu) together with their written solution. At the end of the semester, every IUPUI student that sent a correct solution will receive a certificate of merit. Prizes will be distributed among the IUPUI undergraduate teams that submit the most correct solutions.

Solutions are due one week after each problem is posted, and should be faxed to (317) 274-3460, dropped off in person at LD 270, or sent by campus or U.S. mail to:

Math Club Teaser
Dept. of Mathematical Sciences
IUPUI, LD-270
402 N. Blackford Street
Indianapolis, IN 46202